

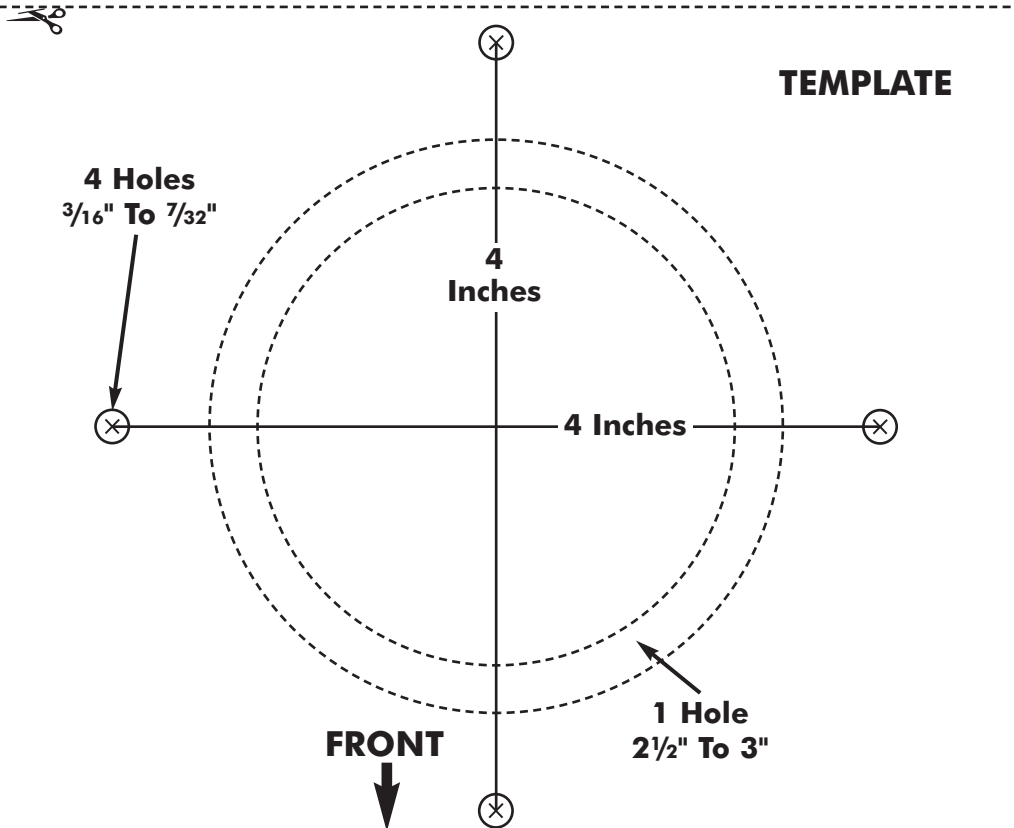


P.O. Box 1377 • Warren, MI 48090
Ph: (586) 778-8828 • E-mail: spinpro@from-the.net
Website: <http://spinpro.from-the.net>

Dusk/Dawn Wildlife Feeder Mounting Instructions

! WARNING: WEAR SAFETY GLASSES TO PREVENT EYE INJURY.

1. Locate the center of barrel, bucket, or drum and determine which direction you want the controls and battery compartment to face.
2. Using the template below, mark, then drill, four (4) holes as indicated using a $\frac{3}{16}$ " or $\frac{7}{32}$ " bit.
3. Drill or cut a $2\frac{1}{2}$ " to 3" hole in the center of the container.
4. Mount feeder to feed container using the four (4) #10-32 bolts and locknuts. Tighten the bolts and nuts securely. Do not fill feed container until instructed.



ADJUSTMENTS & OPERATION

! WARNING: The light sensor (photocell) on the side of this feeder determines when the spinner plate will activate. When activated, the feeder "spins" feed off of the spinner plate at a high rate of speed, tossing it up to 20 feet away from the feeder. To prevent serious injury:

- Keep children at least 50 feet away from the feeder at all times.
- Wear safety glasses whenever you are within 50 feet of the feeder.
- Keep fingers and face away from the spinner plate at all times.
- Never cover the sensor access hole or vary the amount of light entering the light sensor. This may activate feeder.
- Never walk under a hanging feeder.

INSTALLING THE 6-VOLT FEEDER BATTERY

1. Remove the two thumbscrews that hold on the access cover.
2. Turn both control dials fully counterclockwise (to the left); otherwise, the spinner plate may start to spin when battery is attached.
3. Place a fresh heavy-duty 6-volt lantern battery in the compartment on the left. **An Eveready Energizer is recommended for trouble-free operation.**
4. Connect the RED positive (+) alligator clip to the outside (+) battery terminal, then connect the BLACK (-) negative alligator clip to the center (-) battery terminal..

SETTING THE SUNRISE & SUNSET FEED CONTROLS

1. The **Sunrise Control** on the left adjusts how long the spinner plate spins in the morning at dawn. The **Sunset Control** on the right adjusts how long the spinner plate spins in the evening at dusk. Each control can be adjusted to operate the spinner plate from zero to about 15 seconds. Turning either control fully counterclockwise (to the left) will turn that control off. At a 15-second setting, about 5 pounds of feed will be scattered each time the feeder activates.
2. Replace the access cover with the thumbscrews, making sure the battery clips are secure and lead wires are not pinched.

IMPORTANT: To eliminate false activations, the photocell (light sensor) in this Dusk/Dawn Feeder has a 10-second delay. It must "see" a light or dark condition for at least 10 seconds before the feeder will activate.

3. Fill feed container with the desired feed, then hang feeder in your selected location. Feeder will now activate automatically at sunrise and/or sunset.

